

P/N: 83250-0101

Copyright

© 2019, FLIR Systems, Inc.

All rights reserved worldwide. Names and marks appearing herein are either registered trademarks or trademarks of FLIR Systems and/or its subsidiaries. All other trademarks, trade names or company names referenced herein are used for identification only and are the property of their respective owners.

Document identity

Publ. No.: 83250-0101

Commit: 47935

Language: en-US

Modified: 2018-03-06

Formatted: 2019-10-16

Website

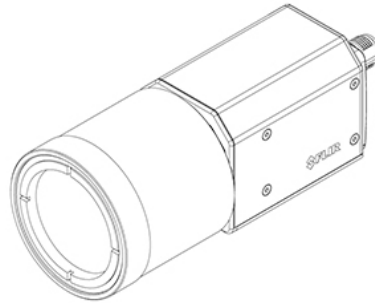
<http://www.flir.com>

Customer support

<http://support.flir.com>

Disclaimer

Specifications subject to change without further notice. Camera models and accessories subject to regional market considerations. License procedures may apply. Products described herein may be subject to US Export Regulations. Please refer to exportquestions@flir.com with any questions.



General description	
<p>The FLIR A35 has features and functions that make it the natural choice for anyone who uses PC software to solve problems and for whom 320 × 256 pixel resolution is sufficient.</p> <p>Among its main features are GigE Vision and GenICam compliance, which makes it plug-and-play when used with software packages such as IMAQ Vision and Halcon.</p>	
<p>Key features:</p> <ul style="list-style-type: none"> • Very affordable. • Compact • GigE Vision and GenICam compliant. • GigE Vision lockable connector. • PoE (power over Ethernet). • 8-bit 320 × 256 pixel images streamed at 60 Hz, signal linear. • 14-bit 320 × 256 pixel images streamed at 60 Hz, signal and temperature linear. • High frame rates (60 Hz). • Synchronization between cameras possible. • 1x+1x GPIO. • Compliant with any software that supports GenICam, including National Instruments IMAQ Vision, Stemmers Common Vision Blox, and COGNEX Vision Pro. 	
<p>Typical applications:</p> <ul style="list-style-type: none"> • Automation and thermal machine vision. • Entry level “high-speed” R&D. 	
Imaging and optical data	
IR resolution	320 × 256 pixels
Thermal sensitivity/NETD	< 0.05°C @ +30°C (+86°F) / 50 mK
Field of view (FOV)	6.5° × 5°
Minimum focus distance	1.5 m (59 in.)
Focal length	50 mm (1.97 in.)
Spatial resolution (IFOV)	0.340 mrad
F-number	1.2
Image frequency	60 Hz
Focus	Fixed
Detector data	
Detector type	Focal plane array (FPA), uncooled VOX microbolometer
Spectral range	7.5–13 μm
Detector pitch	17 μm
Detector time constant	Typical 12 ms



FLIR A35 FOV 6.5 (60 Hz, ver. 2017)

P/N: 83250-0101

© 2019, FLIR Systems, Inc.

#83250-0101; r. 47935; en-US

Measurement	
Object temperature range	<ul style="list-style-type: none"> -25 to +100°C (-13 to 212°F) -40 to +550°C (-40 to +1022°F)
Accuracy	±5°C (±9°F) or ±5% of reading

Measurement analysis	
Atmospheric transmission correction	Automatic, based on inputs for distance, atmospheric temperature and relative humidity
Optics transmission correction	Automatic, based on signals from internal sensors
Emissivity correction	Variable from 0.5 to 1.0
Reflected apparent temperature correction	Automatic, based on input of reflected temperature
External optics/windows correction	Automatic, based on input of optics/window transmission and temperature
Measurement corrections	Global object parameters

Ethernet	
Ethernet	Control and image
Ethernet, type	Gigabit Ethernet
Ethernet, standard	IEEE 802.3
Ethernet, connector type	RJ-45
Ethernet, communication	GigE Vision ver. 1.2 Client API GenICam compliant
Ethernet, image streaming	8-bit monochrome @ 60 Hz <ul style="list-style-type: none"> Signal linear/ DDE Automatic/ Manual Flip H&V 14-bit 320 × 256 pixels @ 60 Hz <ul style="list-style-type: none"> Signal linear/ DDE Temperature linear GigE Vision and GenICam compatible
Ethernet, power	Power over Ethernet, PoE IEEE 802.3af class 0 Power
Ethernet, protocols	TCP, UDP, ICMP, IGMP, DHCP, GigEVision

Digital input/output	
Digital input, purpose	General purpose
Digital input	1× opto-isolated, "0" <1.2 VDC, "1" = 2–25 VDC.
Digital output, purpose	General purpose output to ext. device (programmatically set)
Digital output	1× opto-isolated, 2–40 VDC, max. 185 mA
Digital I/O, isolation voltage	500 VRMS
Digital I/O, supply voltage	2–40 VDC, max. 200 mA
Digital I/O, connector type	12-pole M12 connector (shared with Digital synchronization and External power)
Synchronization in, purpose	Frame synchronization in to control camera
Synchronization in	1×, non-isolated
Synchronization in, type	LVC Buffer @3.3V, "0" <0.8 V, "1">2.0 V.
Synchronization out, purpose	Frame synchronization out to control another FLIR Ax5 camera

P/N: 83250-0101

© 2019, FLIR Systems, Inc.

#83250-0101; r. 47935; en-US

Digital input/output	
Synchronization out	1x, non-isolated
Synchronization out, type	LVC Buffer @ 3.3V, "0"=24 MA max, "1"= -24 mA max.
Digital synchronization, connector type	12-pole M12 connector (shared with Digital I/O and External power)

Power system	
External power operation	12/24 VDC, < 3.5 W nominal < 6.0 W absolute max.
External power, connector type	12-pole M12 connector (shared with Digital I/O and Digital Synchronization)
Voltage	Allowed range 10–30 VDC

Environmental data					
Operating temperature range	-15°C to +60°C (+5°F to +140°F)				
	<table border="1"> <thead> <tr> <th colspan="2">NOTE</th> </tr> </thead> <tbody> <tr> <td colspan="2">The operating temperature range assumes that the camera is mounted on the base support (included in the package) or a similar type of heatsink.</td> </tr> </tbody> </table>	NOTE		The operating temperature range assumes that the camera is mounted on the base support (included in the package) or a similar type of heatsink.	
NOTE					
The operating temperature range assumes that the camera is mounted on the base support (included in the package) or a similar type of heatsink.					
Storage temperature range	-40°C to +70°C (-40°F to +158°F)				
Humidity (operating and storage)	IEC 60068-2-30/24 h 95% relative humidity +25° C to +40°C (+77°F to +104°F)				
EMC	<ul style="list-style-type: none"> EN 61000-6-2 (Immunity) EN 61000-6-3 (Emission) FCC 47 CFR Part 15 Class B (Emission) 				
Encapsulation	IP 40 (IEC 60529) with base support mounted				
Shock	25 g (IEC 60068-2-27)				
Vibration	2 g (IEC60068-2-6) and MIL-STD810G				

Physical data	
Camera size (L x W x H)	141.1 x 58.4 x 58.4 mm (5.7 x 2.3 x 2.3 in.)
Tripod mounting	1 x UNC ¼"-20 (with Base support accessory, included in the delivery box)
Base mounting	4 x M3 thread mounting holes (bottom)
Housing material	Magnesium and aluminum

Shipping information	
Packaging, type	Cardboard box
List of contents	<ul style="list-style-type: none"> Infrared camera with lens Base support Printed documentation
EAN-13	7332558014431
UPC-12	845188016494
Country of origin	Sweden

Supplies & accessories:

- T951004ACC; Ethernet cable CAT6, 2 m/6.6 ft.
- T198349; Base support
- T198348; Cable kit Mains (UK,EU,US)
- T127605ACC; Cable M12 Pigtail



FLIR A35 FOV 6.5 (60 Hz, ver. 2017)

P/N: 83250-0101

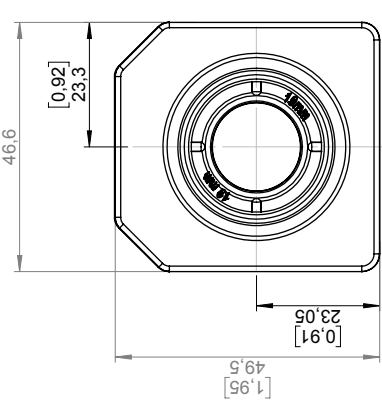
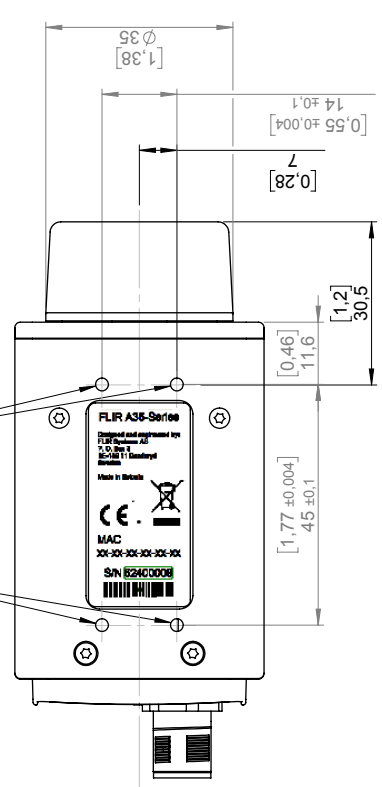
© 2019, FLIR Systems, Inc.

#83250-0101; r. 47935; en-US

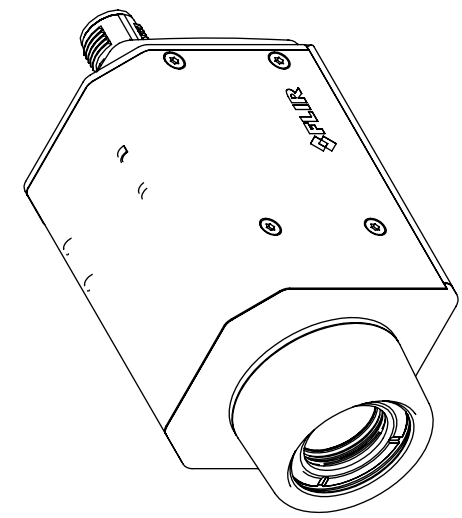
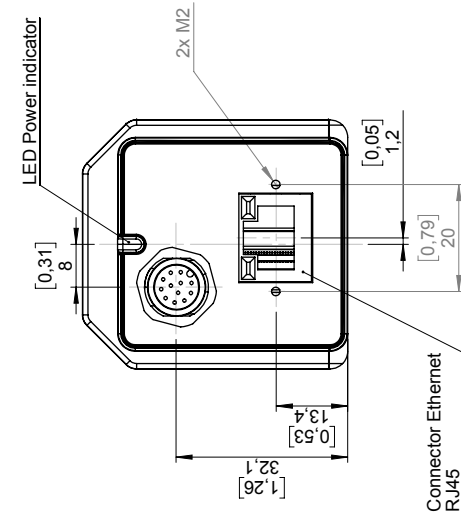
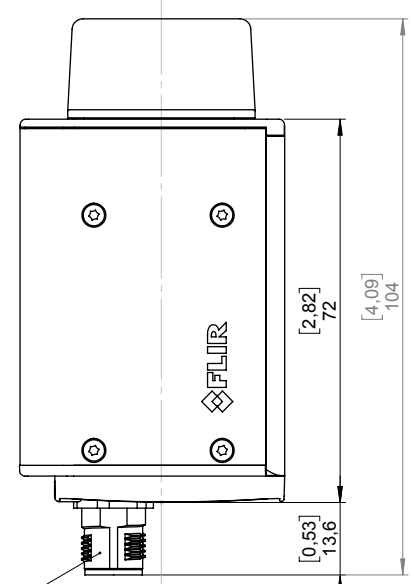
- T127606ACC; Cable M12 Sync
- T199356; FLIR Ax5 accessory starter kit
- T198342ACC; Focus adjustment tool
- T911183; Gigabit PoE injector 16 W, with multi-plugs
- T198392; Table stand kit
- T198594ACC; Transport case Ax5
- T199722; ThermoVision EFD, max. 2 cameras
- T199724; ThermoVision EFD, max. 4 cameras
- T300243; FLIR Thermal Studio Pro, 1 Year Subscription
- T300083; FLIR Thermal Studio Pro, Perpetual license
- T300258; FLIR Thermal Studio, Perpetual license
- T198584; FLIR Tools
- T198583; FLIR Tools+ (download card incl. license key)
- T199233; FLIR Atlas SDK for .NET
- T199234; FLIR Atlas SDK for MATLAB
- 4220499; FLIR Research Studio - 1 Year Subscription (online activation)
- 4220500; FLIR Research Studio - Perpetual License (online activation)
- 4220646; FLIR Research Studio - Perpetual License (USB dongle)
- INST-EW-0135; Extended Warranty 1 Year for A35, A65
- INST-EWGM-0135; Premium Service Package for A35, A65, E53, E75, E85, E95
- INST-GM-0125; General Maintenance Package for A35, A65, Exx, Kxx

Basic dimensions
for cameras with
focal length:
f= 7,5 mm
f= 9 mm
f=13 mm
f=19 mm

4x M3
Depth max 4 mm



Connector GP I/O
M12 12-pin



FLIR

Sheet/Scale 1:1
BladSkala 1:1
Size A3
Rev -002

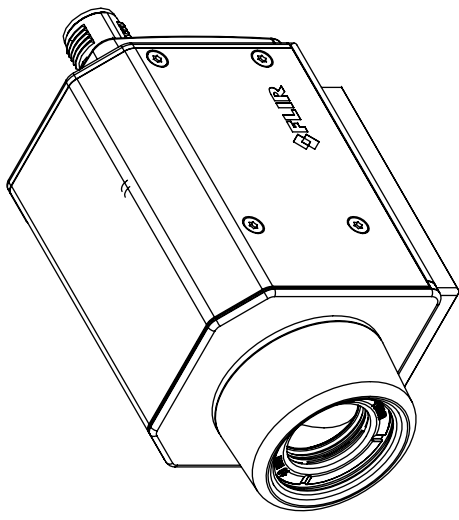
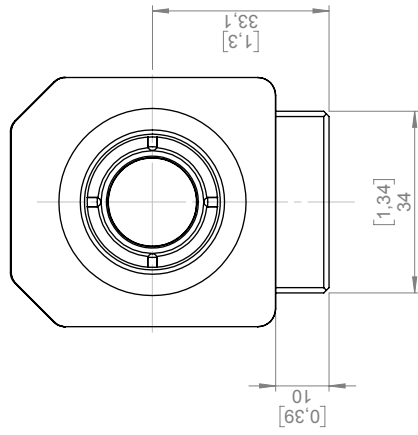
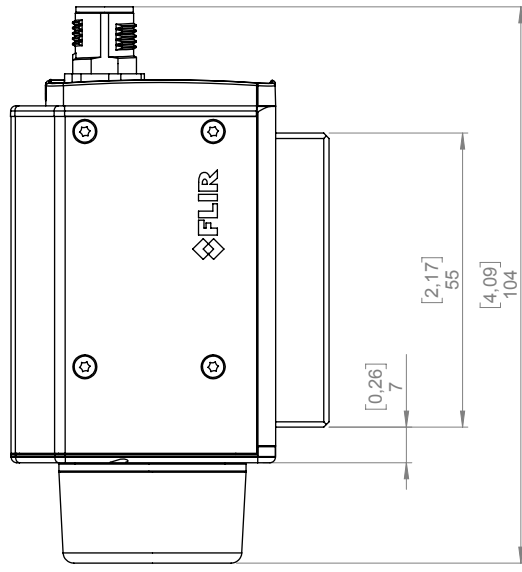
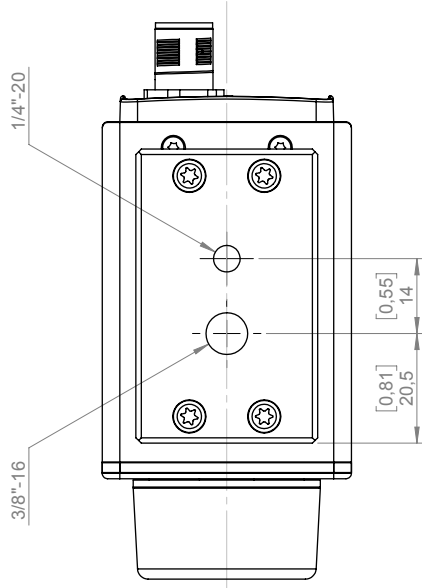
Part No. T129297

Material	-
Ytbehandling/Surface treatment	Ytbehandling/Surface treatment
Ytämne/Roughness Ra	µm
Benämning/Denomination	

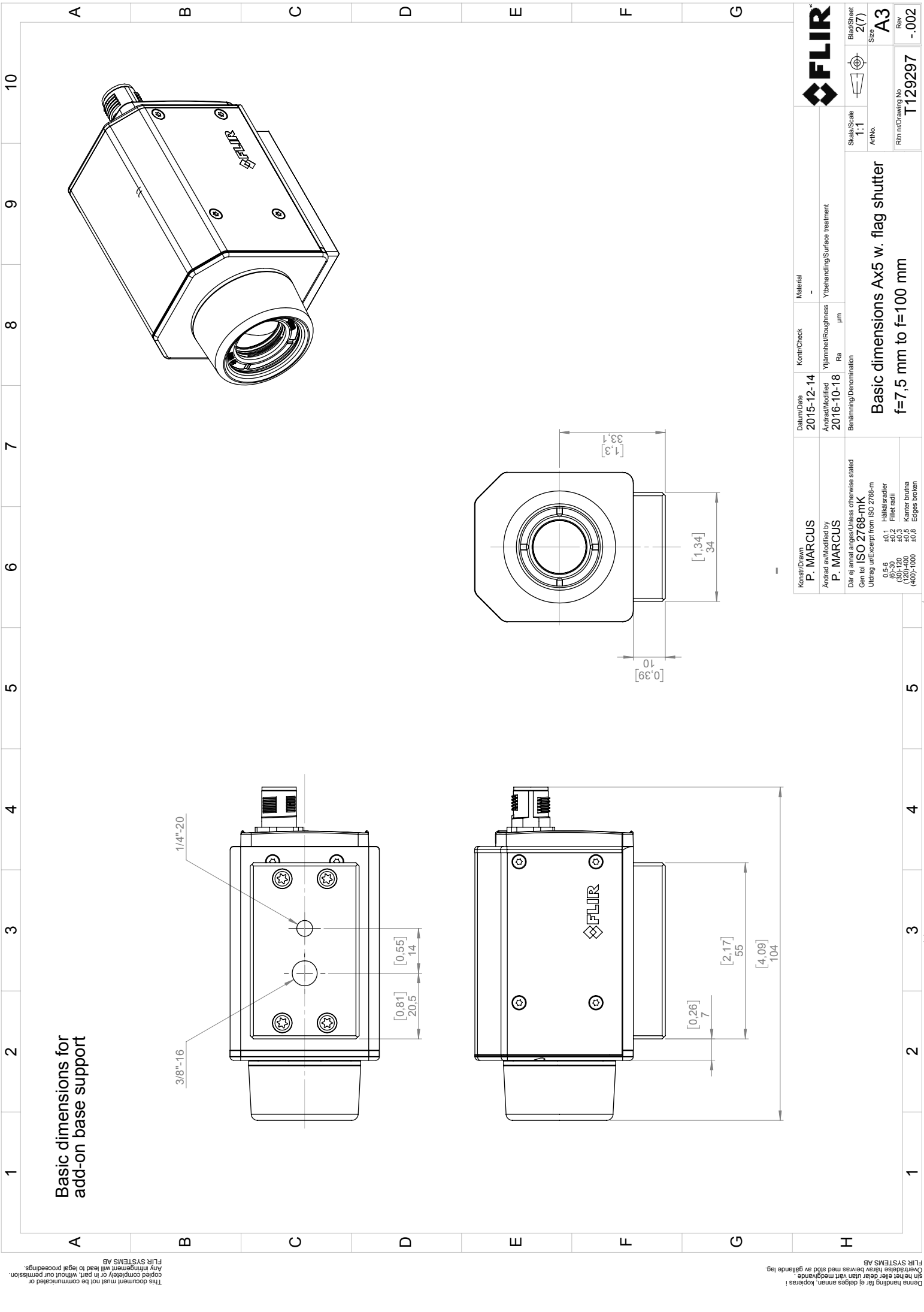
Basic dimensions Ax5 w. flag shutter
f=7.5 mm to f=100 mm

Konstr/Drawn	P. MARCUS
Datum/Date	2015-12-14
Kontr/Check	-
Ändrad av/Modified by	P. MARCUS
Ändrad/Modified	2016-10-18
Gen tol	ISO 2768-mK
Utdrag ur/Excerpt from	ISO 2768-m
0,5-6	±0,1
(6)-30	±0,2
(30)-100	±0,5
(100)-1000	±0,8
(1000)-10000	±1,2
0,5-6	Hållisradier
(6)-30	Fillet radii
(30)-100	Kanter brutna
(100)-1000	Edges broken

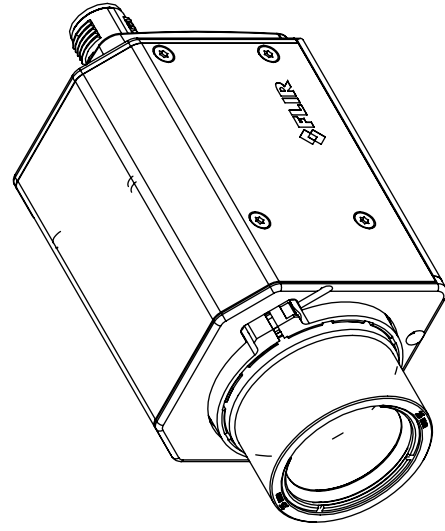
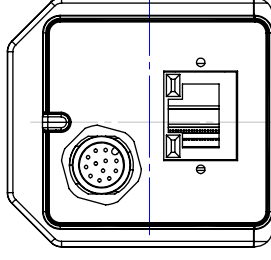
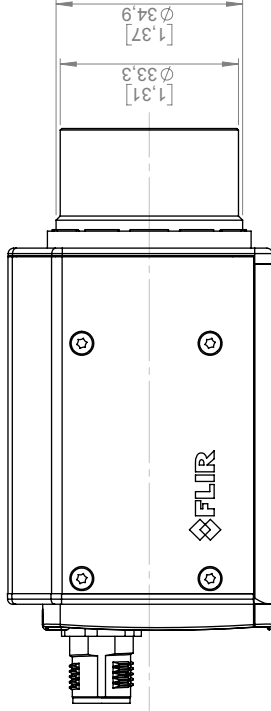
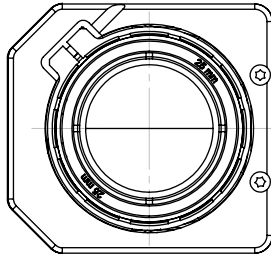
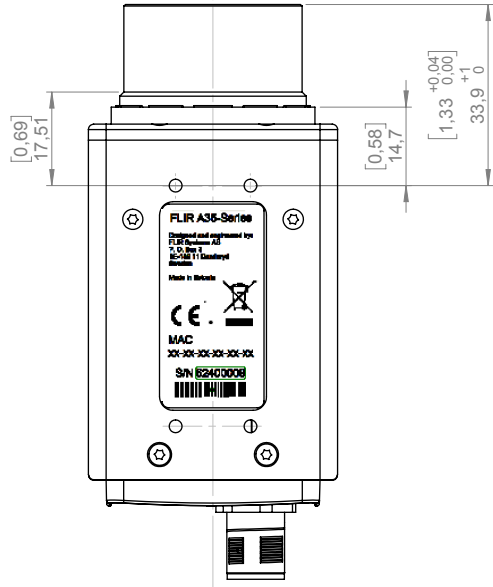
Basic dimensions for
add-on base support



Konstr/Drawn P. MARCUS		Datum/Date 2015-12-14	Kontr/Check -	Material -
Ändrad av/Modified by P. MARCUS		Ändrad/Modified 2016-10-18	Ytjämnhet/Roughness Ra	Ytbehandling/Surface treatment
Där ej annat anges/Unless otherwise stated Utdrag ur/Excerpt from ISO 2768-m		Benämning/Denomination		
0,5-6 ±0,1 Hålkälsradier (60)-30 ±0,2 Fileradii (120)-400 ±0,5 Kantler brutna (400)-1000 ±0,8 Edgese broken		Scale/Scale 1:1		
FLIR		Blad/Sheet 2(7)		
FLIR SYSTEMS AB		SIS A3		
FLIR SYSTEMS AB		Rev -		
FLIR SYSTEMS AB		Rin nr/Drawing No T129297		
Basic dimensions Ax5 w. flag shutter f=7,5 mm to f=100 mm				



Basic dimensions:
 Camera with focal length
 f=25 mm IR lens.
 Only dimensions valid for
 this IR lens.
 For all other dimensions see pages
 1 and 2.



This document must not be communicated or copied completely or in part, without our permission. FLIR SYSTEMS AB

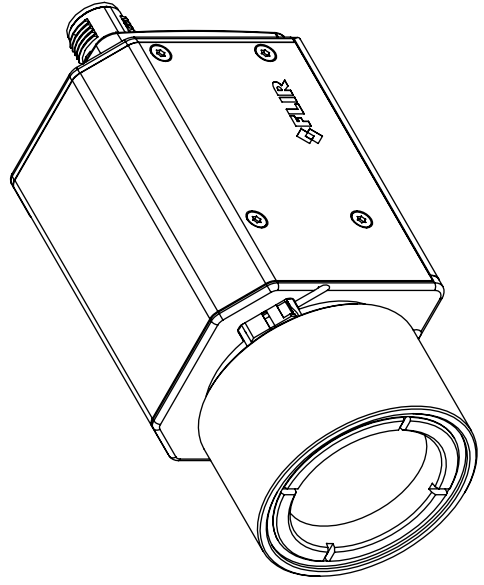
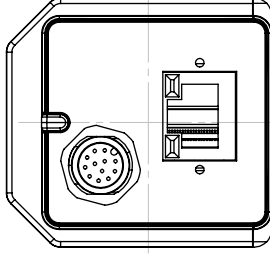
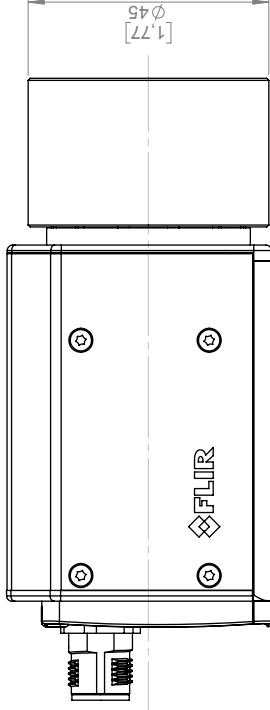
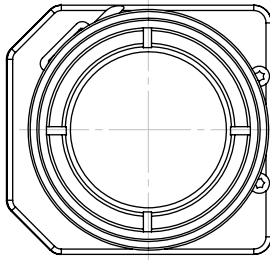
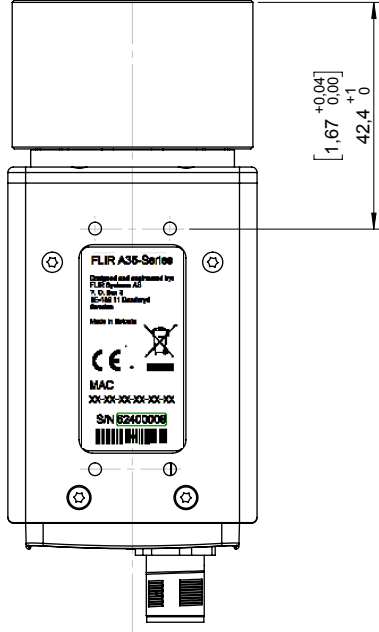
Denna handling får ej delges annan, kopieras i sin helhet eller delar utan vårt medgivande. Övertagelse häray beivras med stöd av gällande lag. FLIR SYSTEMS AB

Konstr/Drawn P. MARCUS	Datum/Date 2015-12-14	Kontr/Check -	Material -
Ändrad av/Modified by P. MARCUS	Ändrad/Modified 2016-10-18	Ytjämnhet/Roughness Ra	Ytbehandling/Surface treatment µm
Gen tel ISO 2768-mK Utöver utfr except from ISO 2768-m	Benämning/Denomination	Scale/Scale 1:1	
0,5-6 0,7-30 0,2 120-400 40,5 400-1000 ±0,8	Blad/Sheet 3(7)		Rev A3
±0,1 Hål/såradii ±0,2 Filter radii Kanter brutna Edges broken	Ritning/Drawing No. T129297		Artno. A3
Basic dimensions Ax5 w. flag shutter f=7,5 mm to f=100 mm			



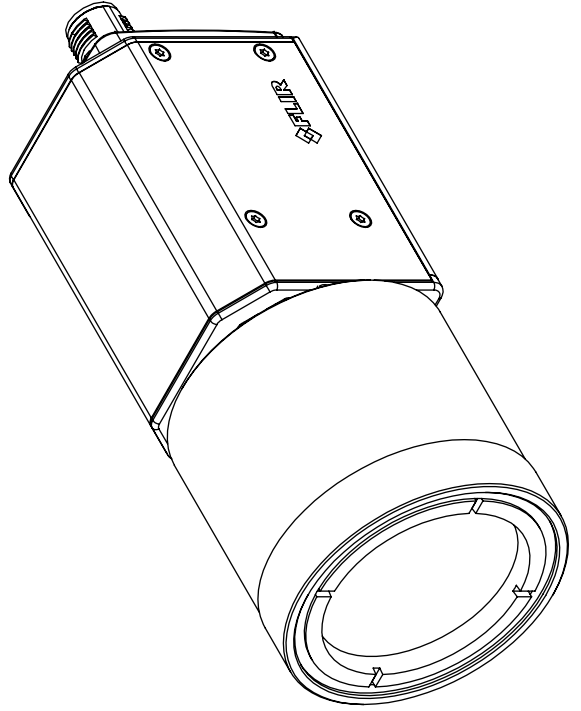
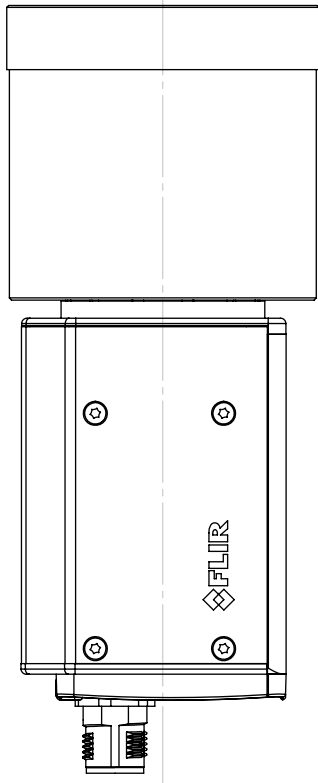
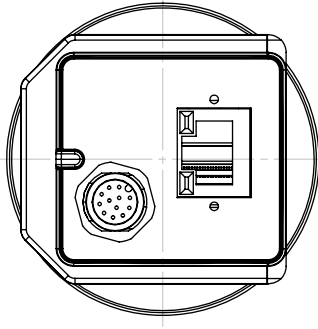
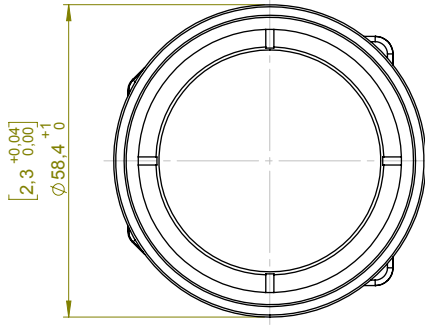
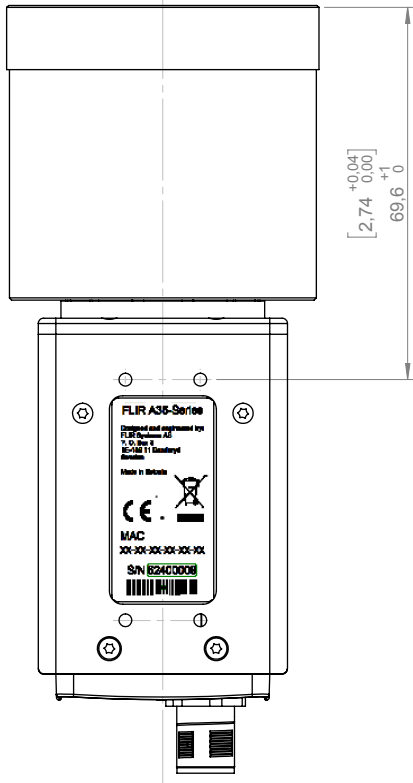
FLIR SYSTEMS AB

Basic dimensions:
 Camera with focal length
 f=35 mm IR lens.
 Only dimensions valid for
 this IR lens.
 For all other dimensions see pages
 1 and 2.



Konstr/Drawn P. MARCUS	Datum/Date 2015-12-14	Kontr/Check -	Material -
Ändrad av/Modified by P. MARCUS	Ändrad/Modified 2016-10-18	Ytjämnhet/Roughness Ra	Ytbehandling/Surface treatment µm
Där ej annat anges/Unless otherwise stated Utgång värd/except from ISO 2768-m 0,5-6 ±0,1 Hållradier 6,3-30 ±0,2 Fillet radii 120-400 ±0,5 Kanter brutna (400)-1000 ±0,8 Edgese broken			
Scale/Scale 1:1			
Blad/Sheet 4(7)			
SIS A3			
Rev -			
Rin nr/Drawing No T129297			
Basic dimensions Ax5 w. flag shutter f=7,5 mm to f=100 mm			

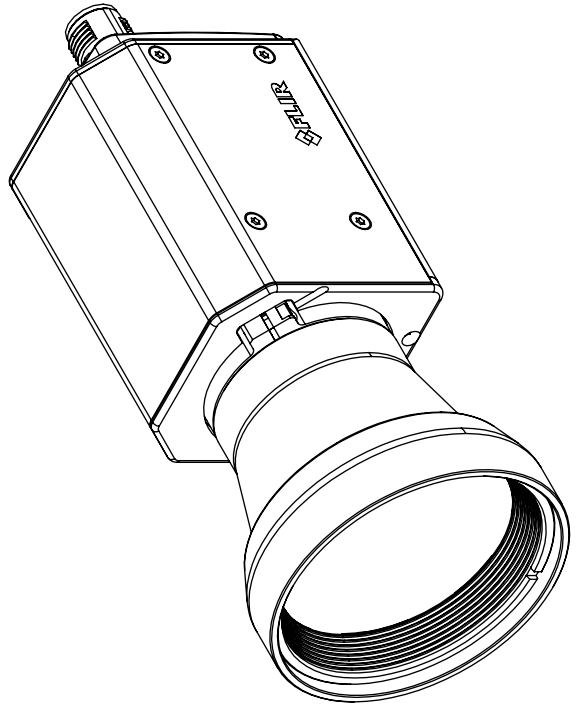
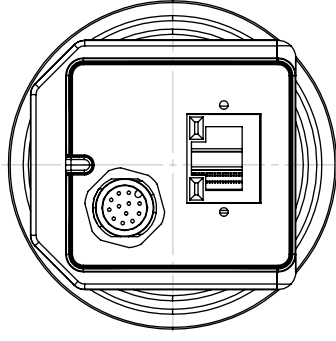
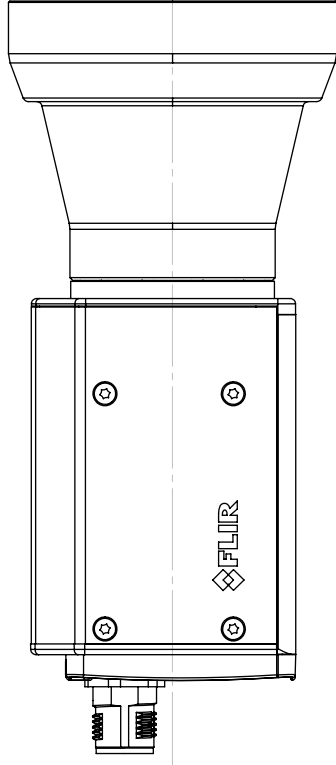
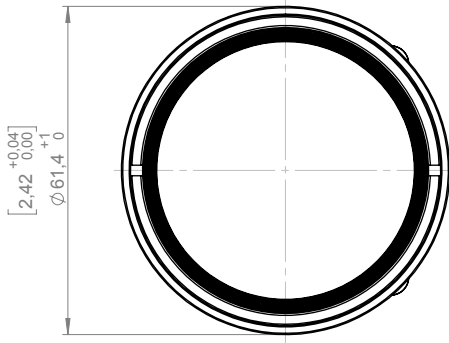
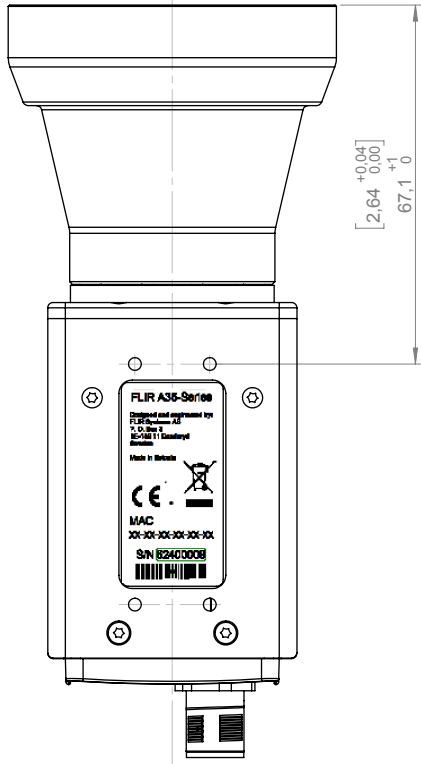
Basic dimensions:
 Camera with focal length
 f=50 mm IR lens.
 Only dimensions valid for
 this IR lens.
 For all other dimensions see pages
 1 and 2.



Konstr/Drawn P. MARCUS		Datum/Date 2015-12-14	Kontr/Check -	Material -
Ändrad av/Modified by P. MARCUS		Ändrad/Modified 2016-10-18	Ytjämnhet/Roughness Ra	Ytbehandling/Surface treatment
Där ej annat anges/Unless otherwise stated Utdrag ur/Excerpt from ISO 2768-m		Benämning/Denomination	µm	
0.5-6	+0.1	Höjlsradier		
6.3-30	+0.2	Fileradii		
120-400	+0.5	Kantler brutna		
(400)-1000	+0.8	Edgese broken		
Stapel/Scale 1:1		Blad/Sheet 5(7)		Rev A3
Artno. T129297		Ritning/Drawing No. T129297		Proj -002
Basic dimensions Ax5 w. flag shutter f=7.5 mm to f=100 mm				



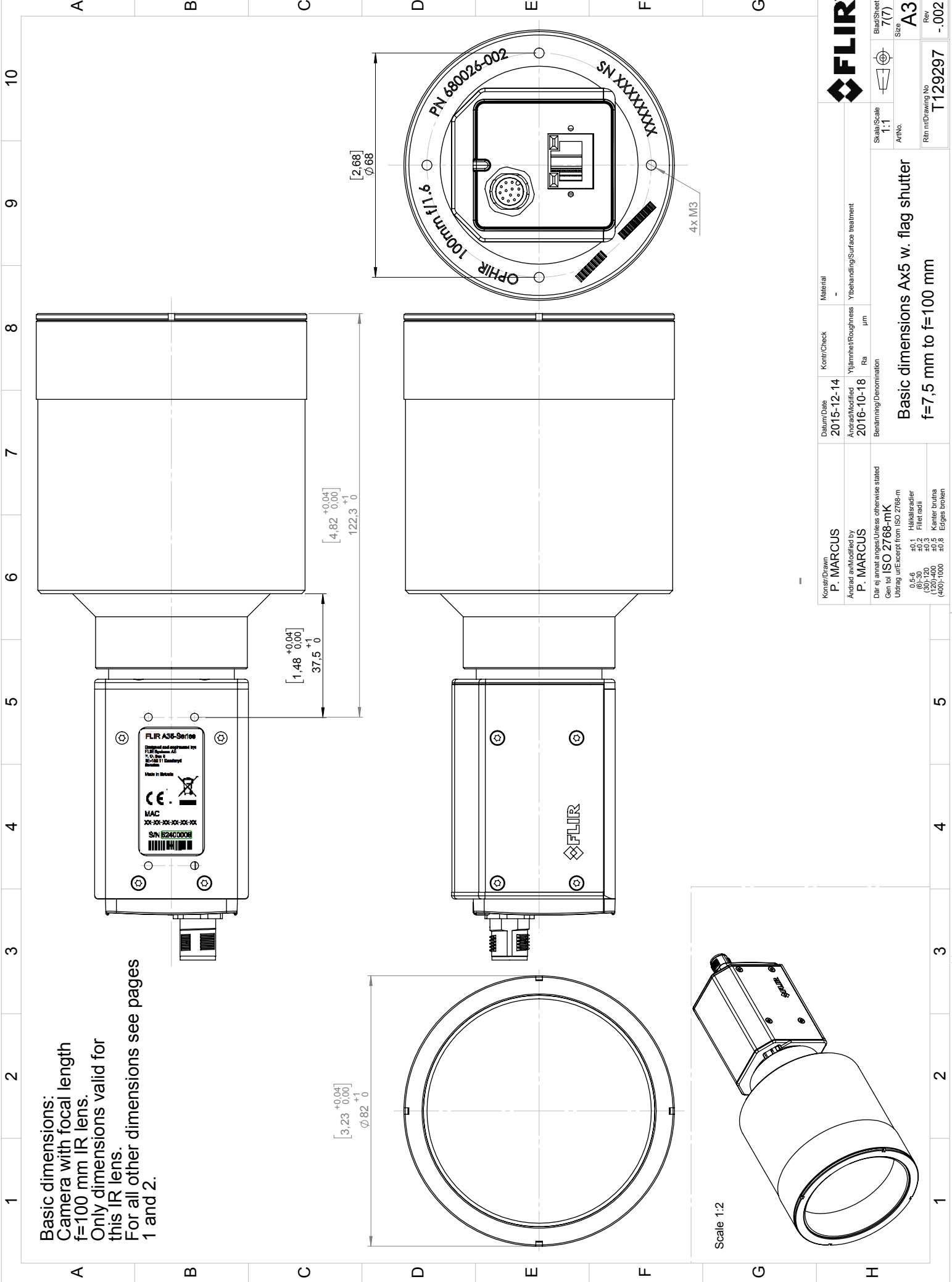
Basic dimensions:
 Camera with focal length
 f=60 mm IR lens.
 Only dimensions valid for
 this IR lens.
 For all other dimensions see pages
 1 and 2.



Konstr/Drawn P. MARCUS		Datum/Date 2015-12-14	Kontr/Check -	Material -
Ändrad av/Modified by P. MARCUS		Ändrad/Modified 2016-10-18	Ytjämnhet/Roughness Ra	Ytbehandling/Surface treatment µm
Där ej annat anges/Unless otherwise stated		Benämning/Denomination		
Utdrag ur/Excerpt from ISO 2768-m		Basic dimensions Ax5 w. flag shutter f=7,5 mm to f=100 mm		
0,5-6 (60)-30 (120)-400 (400)-1000		±0,1 Hållarsradier ±0,2 Filter radii ±0,5 Kanter brutna ±0,8 Edgese broken		
Blad/Sheet 6(7)		Skala/Scale 1:1		Rev A3
SIS		Artno. T129297		Ritning/Drawing No. T129297



Basic dimensions:
 Camera with focal length
 f=100 mm IR lens.
 Only dimensions valid for
 this IR lens.
 For all other dimensions see pages
 1 and 2.



FLIR		Blad/Sheet 7(7)		Size A3	
Scale/Scale 1:1		ArtNo. T129297		Rev -002	
Konstr/Drawn P. MARCUS		Datum/Date 2015-12-14		Material -	
Ändrad av/Modified by P. MARCUS		Kontroll/Check Ytjämnhet/Roughness Ra		Ytbehandling/Surface treatment	
Där ej annat anges/Unless otherwise stated Utdrag ur/Excerpt from ISO 2768-m		Ändrad/Modified 2016-10-18		Benämning/Denomination Basic dimensions Ax5 w. flag shutter f=7.5 mm to f=100 mm	
0.5-6 0.1-30 0.2-100 0.5-400 1-1000		±0.1 ±0.2 ±0.5 ±0.8		Höjlsradier Filter radii Kantler brutna Edges broken	



The World's Sixth Sense™

May 25, 2018 Täby, Sweden

AQ320295

CE Declaration of Conformity – EU Declaration of Conformity

Product: FLIR Ax5 -series

Name and address of the manufacturer:

FLIR Systems AB
PO Box 7376
SE-187 15 Täby, Sweden

This declaration of conformity is issued under the sole responsibility of the manufacturer.

The object of the declaration: FLIR Ax5 -series.

The object of the declaration described above is in conformity with the relevant Union harmonisation legislation:

Directives:

Directive:	2011/65/EU	RoHS
Directive	2014/30/EU	Electromagnetic Compatibility

Standards:

Emission:	EN 61000-6-3:2007	EMC Emission residential, commercial, light-industrial
Immunity:	EN 61000-6-2:2005	EMC Immunity for industrial environments

FLIR Systems AB
Quality Assurance

Lea Dabiri
Quality Manager